



## 3M™ Fire Barrier CP 25WB+ Sealant

### Product Description

3M Fire Barrier CP 25WB+ Sealant is a premium elastomeric latex caulk designed for use as a one-part fire, smoke, noxious gas and water sealant. In addition, the unique intumescent property of this material (expands when heated) means that as cable insulation is consumed by fire, CP 25WB+ Sealant expands to maintain the penetration seal.

CP 25WB+ Sealant features superior adhesion strength, caulk rate and no-sag application plus a halogen-free formula.

3M Fire Barrier CP 25WB+ Sealant can be installed with a standard caulking gun, pneumatic pumping equipment or it can be easily applied with a putty knife or trowel. CP 25WB+ Sealant will bond to concrete, metals, wood, plastic and cable jacketing. No mixing is required. CP 25WB+ Sealant offers excellent performance achieving Fire Resistance Ratings of up to 4 hours.



### Product Features

- Water Based: Easy clean up, no special handling, routine disposal
- Intumescent: Expands when heated to seal around items consumed by fire
- Endothermic: Absorbs heat energy, releases chemically bound water
- Thixotropic: Will not sag or run in overhead or vertical applications
- Halogen-free
- Fast dry: Tack-free in approximately 10-15 minutes
- Paintable: (Best results obtained after 72 hour cure.)
- Minimal shrinkage
- Reddish Brown colour
- Water seal: Seals against inadvertent water spills in the unexpanded state
- High caulk rate: 1000 g/min. with 6mm (1/4") nozzle
- Point contact allowed
- Testing in accordance with AS1530.4, EN1366, and ASTM E814 (UL Listed).

## Physical Properties

Typical Physical Properties	
Tack Free Time (ASTM C679-87)	10 to 15 minutes @ 22°C (72°F)
Continuous operating temperature	Up to 48°C (120°F)
Expansion at 350° C (662°F)	2.0-3.0
Expansion at 540°C (1000°F)	3+
Colour	Reddish Brown
Density	1.35 kg/L (11.2 lb/gal)
Adhesion	Very good on all construction substrates
Application	Caulk guns, trowel, spatula, pressurized pumps
Durometer Hardness (Shore A)	70
Solids	79% by weight
VOC	0% by weight
Odour	Pleasant non-irritating
Flow Rate	1000 grams/min. from 6.35 mm (1/4") nozzle at 50 psi
ASTM E 84: Flame Spread	5
Smoke Development	0
Boeing Flow (Sag Characteristics)	0

## Availability

3M™ Fire Barrier CP 25WB+ Sealant is available from Authorized 3M Fire Protection Products Distributors.

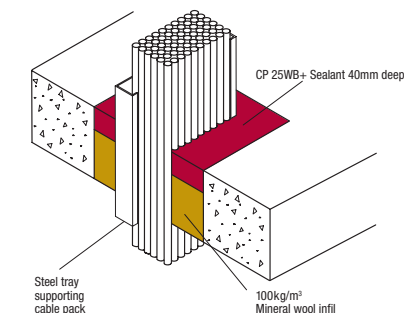
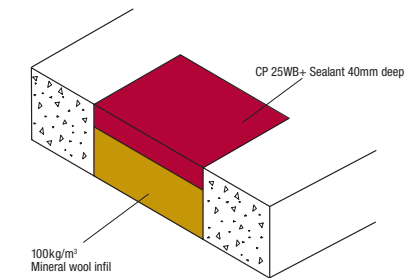
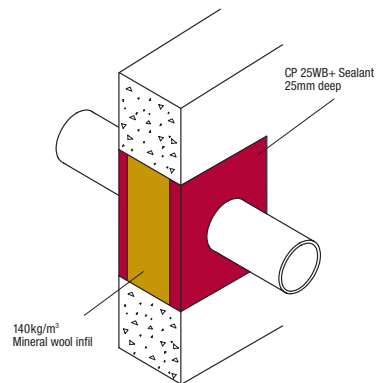
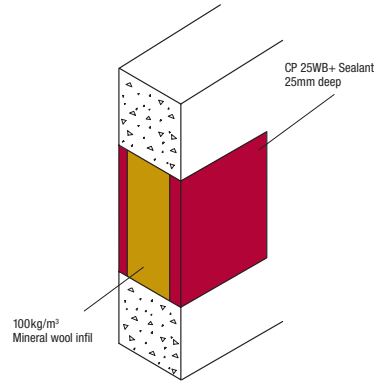
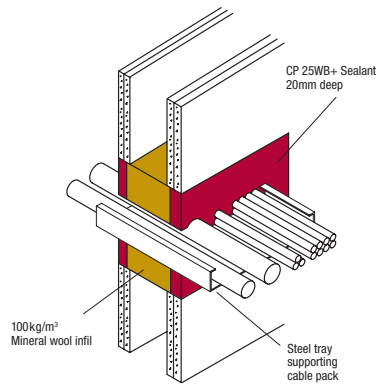
3M Order Code	Packing	Unit/Case
98040054565	300 ml (10.1 fl.oz.) cartridge	12
98040053831	594 ml (20 fl. oz.) sausage	10
98040053823	802 ml (27 fl. oz.) cartridge	6
98040053807	7.6 litre (2 gallon) pail	1
98040053815	19 litre (5 gallon) pail	1

## Maintenance

CP 25WB+ Sealant is stable under normal storage conditions and has a one year shelf life. Normal stock and stock rotation are recommended.

**Recommended: Store between 4°C (40°F) & 32°C (90°F) for maximum shelf life. Keep from freezing.**





## Installation Techniques:

### Installation Techniques: Walls

#### Electrical Cables, Blank (unpenetrated) Seals

- Install 100kg/m<sup>3</sup> mineral wool infill friction fitted and centred in the penetration. Ensure that enough space is left on either side of the mineral wool for the CP 25WB+ Sealant.
- Install CP 25WB+ Sealant to a depth of 20mm for electrical cables and 25mm for blank unpenetrated seals on both sides of the wall. Ensure that the Sealant is installed flush with the wall on both sides of the penetration.

#### Metal Pipes

- Install 140kg/m<sup>3</sup> Mineral Wool infill friction fitted and centred in the penetration. Ensure that enough space is left for the CP 25WB+ Sealant.
- Install CP 25WB+ Sealant to a depth of 25mm on both sides of the wall, ensure that the Sealant is installed flush with the wall on both sides of the penetration.

### Installation Techniques: Floors

#### Electrical Cables, Blank (unpenetrated) Seals

- Install 100kg/m<sup>3</sup> mineral wool infill friction fitted into the floor slab, the bottom of the mineral wool should be flush with the bottom surface of the floor slab. Ensure that enough space is left above the mineral wool for the CP 25WB+ Sealant.
- Install CP 25WB+ Sealant to a depth of 40mm on the top side of the floor slab only; ensure that the Sealant is installed flush with the top surface of the floor slab.

## Performance Specifications for Installers

Australian Standard FRLs		Fire Resistance Level (FRL)				
3M Fire Barrier System	Building Element	Blank (Unpenetrated) Seal	PVC Insulated Cables, Cable trays and Cable bundles	Copper or Steel Pipes Small 15mm diameter or smaller 0.9mm wall thickness or thicker	Steel Pipes Small 34mm diameter or smaller 3.5mm wall thickness or thicker	Steel Pipes Large 114mm diameter or smaller 4.5mm wall thickness or thicker
3M CP 25WB+ Sealant	<b>Floor:</b> Concrete slab. <i>Minimum 120mm thickness</i>	-/180/120	-/120/30	—	—	—
	<b>Wall:</b> Plasterboard Dry Wall, solid masonry, hollow masonry or concrete construction. <i>Minimum 116mm thickness</i>	-/120/120	-/120/30	—	—	—
	<b>Wall:</b> Plasterboard Dry Wall. <i>Minimum 150mm thickness</i>	-/120/120	-/120/30	-/120/30	-/120/30	-/120/-
	<b>Wall:</b> Solid masonry, hollow masonry or concrete construction. <i>Minimum 150mm thickness</i>	-/240/180	-/120/30	-/240/30	-/240/30	-/240/30

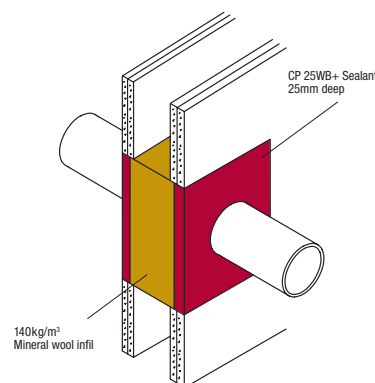
In order to achieve the above FRLs you must ensure that the CP 25WB+ Sealant is installed as per the Installation Techniques and the building element you are installing into has an FRL performance equal to or better than that of the CP25 WB+ system. The Installation Techniques can be found on the final page of this document.

### What does FRL mean?

FRL stands for 'Fire Resistance Level'. For example, an FRL of '-/240/30' indicates:

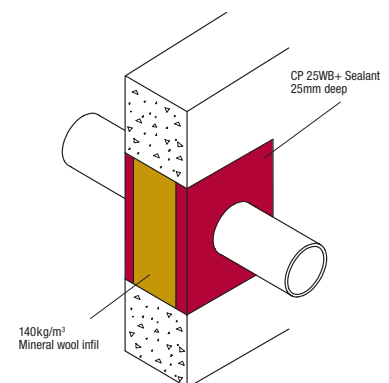
- **Structural Adequacy.** The first dash '-' indicates that CP 25WB+ is non load bearing
- **Integrity.** The middle number '240' indicates for how many minutes the CP 25WB+ system can resist the passage of flames and hot gasses
- **Insulation.** The last number '30' indicates how many minutes it takes the unexposed face to heat up by more than 140°C.

### Metal Pipes



Dry Wall 150mm

Copper: 15mm dia, 0.91mm wall: FRL: -/120/30  
Steel: 34mm dia, 3.5mm wall: FRL: -/120/30  
Steel: 114mm dia, 4.5mm wall: FRL: -/120/-



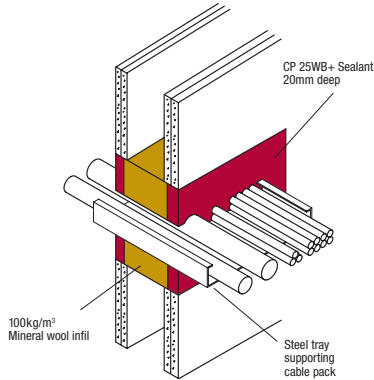
Solid Masonry, Hollow Masonry or Concrete Wall 150mm

Copper: 15mm dia, 0.91mm wall: FRL: -/240/30  
Steel: 34mm dia, 3.5mm wall: FRL: -/240/30  
Steel: 114mm dia, 4.5mm wall: FRL: -/240/30

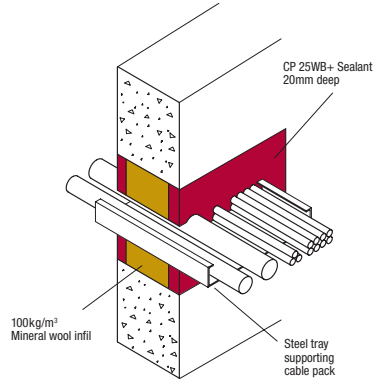
# Performance Specifications for Engineers and Specifiers

3M Fire Barrier CP 25WB+ Sealant has been tested in accordance with AS1530.4-2005 and assessed in accordance with AS4072.1-2005 under BWA Report No: 23263. The following illustrations provide a summary of the test results for D1 and D2 cable configurations, metal pipe penetrations and blank unpenetrated seals with CP 25WB+ installed as per the Installation Techniques. Specifications for standard D1 and D2 cable configurations can be found in AS1530.4-2005 Appendix D.

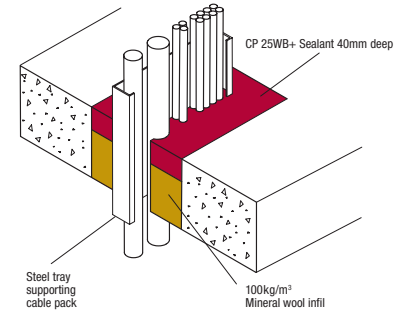
## D1 Cable Pack – Power Transmission Cables.



Dry Wall 116mm – FRL: -/120/30

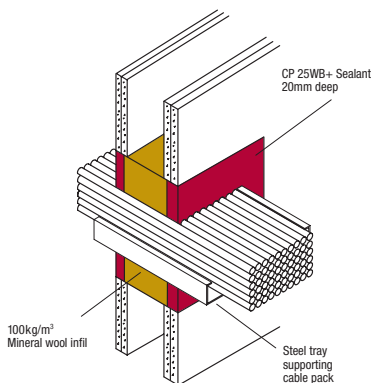


Solid Masonry, Hollow Masonry or  
Concrete Wall 116mm – FRL: -/120/30

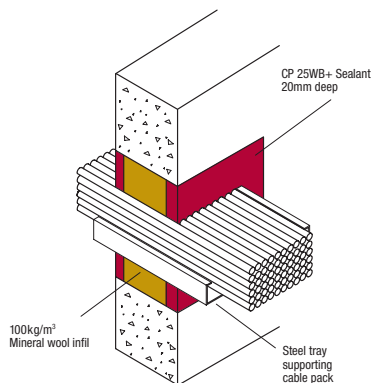


Concrete Floor 120mm – FRL: -/120/30

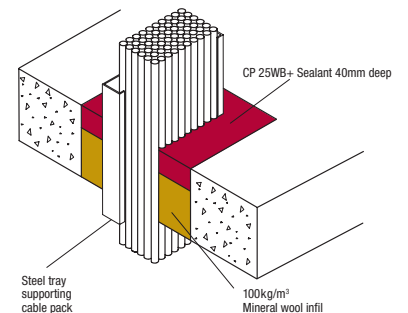
## D2 Cable Pack – Telecom Cables.



Dry Wall 116mm – FRL: -/120/30

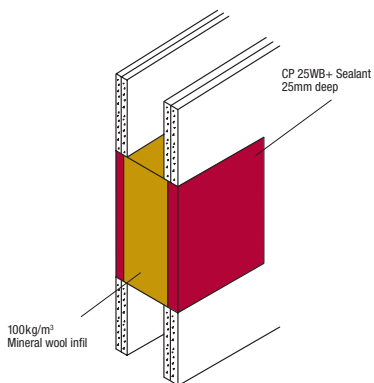


Solid Masonry, Hollow Masonry or  
Concrete Wall 116mm – FRL: -/120/30

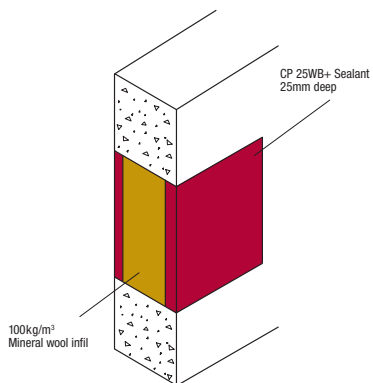


Concrete Floor:  
120mm - FRL: -/120/30  
150mm - FRL: -/180/30

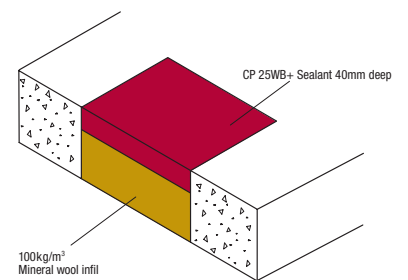
## Blank Openings (unpenetrated)



Dry Wall 116mm – FRL: -/120/120



Solid Masonry, Hollow Masonry  
or Concrete Wall:  
116mm - FRL: -/120/120  
150mm - FRL: -/240/180  
170mm - FRL: -/240/240



Concrete Floor:  
120mm - FRL: -/180/120  
150mm - FRL: -/180/180

## For further information Call: 136 136

TO THE EXTENT PERMITTED BY LAW 3M MAKES NO OTHER WARRANTIES INCLUDING, BUT NOT LIMITED TO, ANY IMPLIED WARRANTY OF MERCHANTABILITY OR FITNESS FOR A PARTICULAR PURPOSE. User is responsible for determining whether the 3M product is fit for a particular purpose and suitable for user's application. If this 3M product is defective within the warranty period stated above, your exclusive remedy and 3M's sole obligation under this warranty shall be, at 3M's option, to replace or repair the 3M product or refund the purchase price of the 3M product.

**Limitation of Liability.** Except where prohibited by law, 3M will not be liable for any loss or damage arising from this 3M product, whether direct, indirect, special, incidental or consequential, regardless of the legal theory asserted, including warranty, contract, negligence or strict liability.



### **3M Building and Commercial Services Division**

950 Pacific Highway,  
Pymble NSW 2073  
Call: 136 136  
[www.3m.com.au](http://www.3m.com.au)

Please recycle. Printed in Australia.  
© 3M 2009. All rights reserved.  
3MLK0016